

**JB80-2
JB160-2
JB120-2
JB200-2**

Capacity 8 / 12 / 16 / 20 t



Air hydraulic twin ram jacking beam

- Both lifting rams have ability to be operated individually or in tandem for safe operation
- Equipped with independent mechanical locking system, locking pawl engaged by gravity
- Transversely sliding rams
- Rapid and precise air hydraulic unit with high speed ram travel
- Simple modern design with control panel at ergonomic working height
- Can be made to fit all lifts due to its adjustable frame (590 - 890 mm or 850 - 1150 mm)
- Hold to run controls for ultimate safety
- Hydraulically protected against overloading
- Supplied with 2 x 100 mm extensions + 2 x flat adapters

Options



Diff. beam

For lifting with both rams
at one point.

Crossbeam adapters



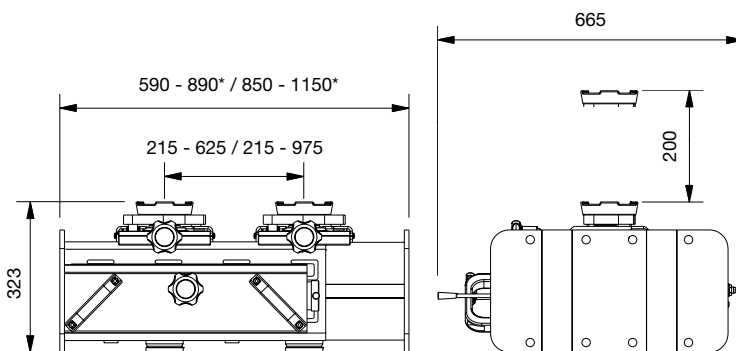
Extensions

100 mm, 200 mm



Adapters

U-shape
V-shape



* dimensions excluding support arms

	JB80-2	JB120-2	JB160-2	JB200-2
Capacity	8 t	12 t	16 t	20 t
Stroke	200 mm	200 mm	200 mm	200 mm
Min. height	323 mm	323 mm	323 mm	323 mm
Max. height	523 mm	523 mm	523 mm	523 mm
Width range small frame	590-890 mm	590-890 mm	590-890 mm	590-890 mm
Width range wide frame	850-1150 mm	850-1150 mm	850-1150 mm	850-1150 mm
Depth	665 mm	665 mm	665 mm	665 mm
Lifting points (distance)	215-975 mm	215-975 mm	215-975 mm	215-975 mm
Air supply	8 - 12 bar	8 - 12 bar	8 - 12 bar	8 - 12 bar
Air consumption	350 l/min	350 l/min	350 l/min	350 l/min
Weight	202 kg	202 kg	202 kg	202 kg

* The capacity of the jacking beam cannot exceed 0.66 x the lift capacity

stertil KONI

 a member of the Stertil Group

Stertil B.V.
P.O. Box 23
9288 ZG Kootsterille
The Netherlands
Tel. +31(0)512 334444
info@stertil.nl

www.stertilkoni.com

 Stertil-Koni

 Stertil