

KOMI

sterfil



HEAVY DUTY 4-POST VEHICLE LIFT

ST 4120

Capacity 12,000 kg



STERFIL
SUPERIOR SOLUTIONS

Superior Solutions



The Stertil group provides customised and technically advanced solutions for heavy-duty lifting requirements for customers throughout the World, including the best possible service from skilled local partners. These superior solutions are conceived, developed and implemented by a team of professional specialists with unique expertise. Thanks to the quality of its people, its entirely in-house production and its international organisation, Stertil is the World number one in heavy-duty vehicle lifts.

Flexible

The Stertil-Koni ST 4120 is suitable for a wide range of vehicles from urban trucks, vans and buses to heavy duty commercial vehicles. With the optional third platform the ST 4120 is also the ideal vehicle lift for 3-wheel forklift trucks.

The platforms are available in lengths from 4.77 metres up to 10 metres and are adjustable.

The ST 4120 has four robust hydraulic cylinder posts which can each lift 4,500 kg. The wide platforms have an extremely low drive-on height, suitable for low ground clearance vehicles. Optional longer drive-on ramps are available.



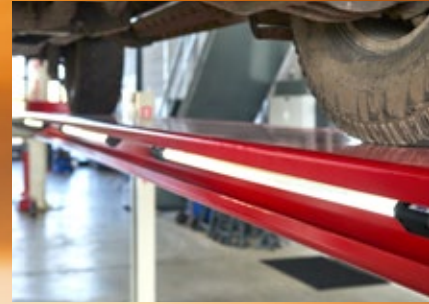
Convenience

The operational unit containing the control box and hydraulic pump can be positioned on each post for easy operation, maintenance and inspection.

Durability and reliability

Stertil-Koni are technological leaders in hydraulic heavy duty vehicle lifting systems. This is incorporated in the ST 4120. The fewer moving parts the better as this reduces the risk of defects and expensive repairs, being required.

Stertil-Koni ST 4120



Optional third platforms available for 3-wheel fork lift trucks.



Maximum safety

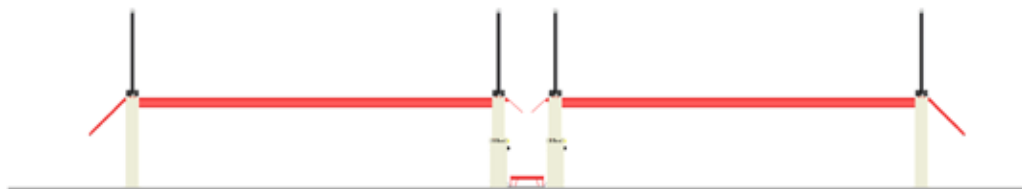
The ST 4120 offers the following safety features:

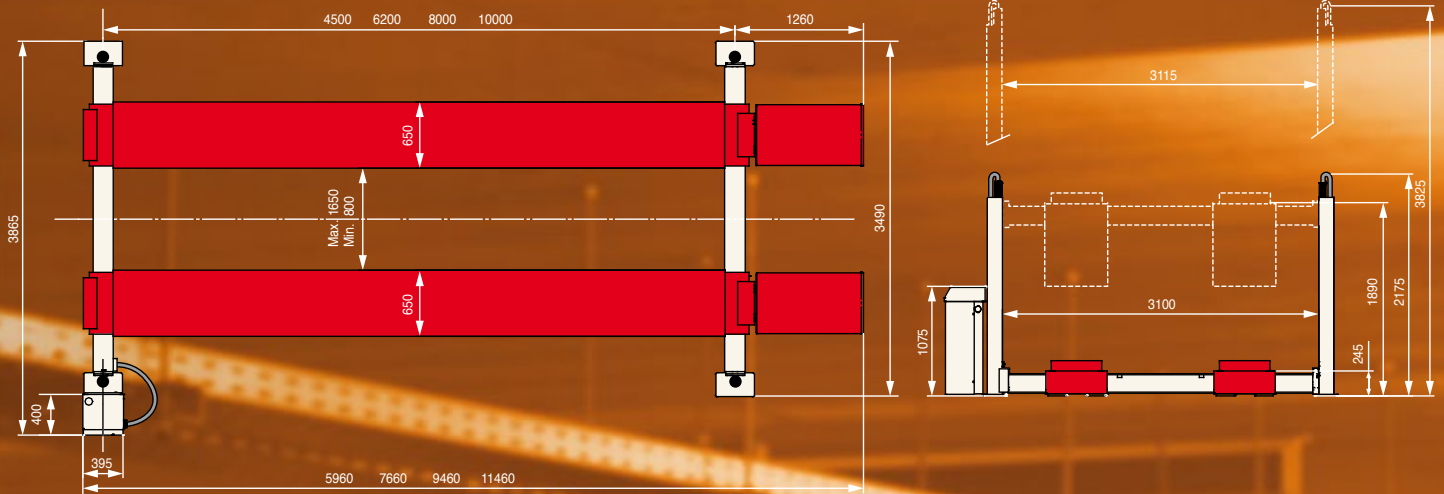
- Electronic synchronisation system that continuously monitors the position of all cylinders creating safe, smooth and level lifting and lowering
- Robust & reliable Stertil-Koni hydraulics with pressure relief and hose burst valves
- Independent gravity operated locking mechanism to prevent unexpected lowering

Tandem configuration for longer vehicles

ST 4120 can be extended in a tandem configuration with two lifts in line which can be operated individually or together. Perfect for long buses or other longer combinations.

Tandem configuration, side view





Technical specifications

Lifting capacity: 12,000 kg
 Lifting system: hydraulic
 Lifting height: 1,890 mm
 Lifting time: 90 seconds
 Motor: 1 x 5.5 kW

Highest safety features

- ANSI/ALI-ALCTV certified (USA)
- CSA certified (Canada)
- CE certified (Europe)
- Low voltage control cabinet
- Automatic overload protection
- Independent mechanical locking system
- Microprocessor-controlled tracking system
- Automatic stop when highest position is reached
- Dead-man's operation
- Splash-proof electrical system (IP65)

Accessories & Options

- Air-Hydraulic Jacking Beams for wheel, brake and suspension maintenance
- Short approach ramps (recessed installation)
- Third platform e.g. for lifting 3-wheel forklift trucks
- Custom RAL colour
- Synchronisation kit for tandem configuration

More information?

For more or specific information about the ST 4120 or one of the other quality products from Stertil-Koni, please contact us for further assistance.



Stertil B.V.
 P.O.Box 23
 9288 ZG Kootsterille
 The Netherlands
 Tel. +31 (0)512 334444
 www.sterilkoni.com
 info@stertil.nl
 Stertil-Koni
 @Stertil