

# 4-POST LIFT

Mid Range 4-Post Lift 12,000 kg

**steriti** **KOMI**<sup>®</sup>



**ebright**  
SMART CONTROL SYSTEM



ST 4120

SUPERIOR SOLUTIONS FOR HEAVY DUTY VEHICLE LIFTING



# NO. 1 IN HEAVY DUTY VEHICLE LIFTING

Stertil-Koni provides a complete range of heavy duty vehicle lifts and lifting equipment for customers all over the world. All Stertil-Koni vehicle lifts are designed and manufactured in-house by a team of specialists with expertise in the heavy duty vehicle lifting industry. Stertil-Koni is represented across the globe by local sales organisations, exclusive Stertil-Koni distributors, and a network of qualified Stertil-Koni Service partners. This makes Stertil-Koni the Number 1 in heavy duty vehicle lifting around the world.



Optional third platforms available for 3-wheel fork lift trucks.

The Stertil-Koni ST 4120 hydraulic vehicle lift is suitable for the maintenance, service and repair of a wide range of vehicles, from light weight commercial vehicles, urban trucks, vans and buses to heavy duty commercial vehicles. With the optional third platform this mid range 4-Post lift is also ideal for 3-wheel forklift trucks.

### Safe, Ergonomic and Versatile

- Four robust hydraulic cylinder posts.
- Lifting height of 1.9 metres
- Lifting capacity of 12,000 kg, in tandem configuration 24,000 kg.
- Wide working range with platform lengths available from 4.8 - 10 metres or in tandem 20 metres.
- Adjustable tracks.

- Safe, independent mechanical 'always on' gravity operated locking system.
- Obstruction and automatic overload protection.
- Electronic synchronisation system that continuously monitors the position of all cylinders creating safe and smooth lifting and lowering.
- Low drive-on height, ideal for low clearance vehicles.

### Intuitive ebright Smart Control System

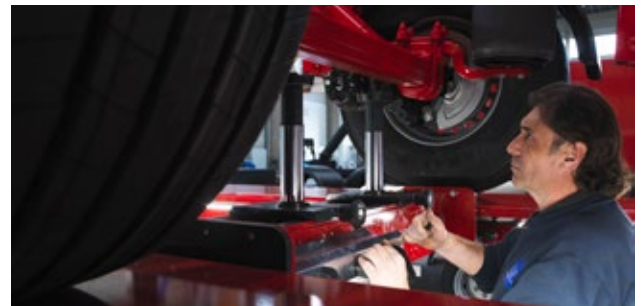
- Patented Stertil-Koni easy touchscreen ebright Smart Control System configured for owner and user secure operation.
- Operational use information; height and lifting cycles.
- Preventative maintenance notifications.





# MAXIMUM SAFETY, FLEXIBILITY & RELIABILITY

- ebright allows two lifts in tandem configuration to be operated at the same time.
- The control console houses the power and operation unit with easy maintenance and inspection access.
- Fitted with manual override lowering in the event of power outage.

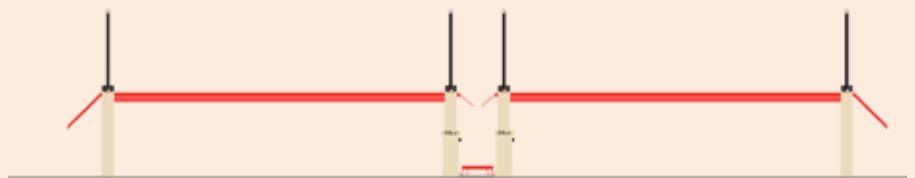


## Efficiency and Reliability

The very reliable and minimum maintenance Stertil-Koni micro-processor controlled hydraulic system is incorporated into the operational unit of the ST 4120. The highly effective electric motor gives outstanding performance with extremely low energy consumption.

## Extra Versatility for Longer Vehicles

The ST 4120 can be configured with two lifts connected in a tandem configuration which can be operated individually or simultaneously. Ideal for articulated buses or other longer vehicle combinations.



Tandem configuration, side view

## Operational features

- Vertical lifting
- Programmable lifting height
- Trouble Shooting diagnostic system
- Manual override lowering in case of power failure

## Maximum safety standards

- ANSI/ALI-ALCTV certified (USA)
- CSA certified (Canada)
- CE certified (Europe)
- UKCA certified (United Kingdom)
- Low voltage control cabinet
- Automatic overload protection
- Independent mechanical locking system
- Microprocessor-controlled tracking system
- Automatic stop when highest position is reached
- Dead-man's operation
- Splash-proof electrical system (IP65)

## Technical specifications

Lifting capacity: 12,000 kg  
Lifting system: hydraulic  
Lifting height: 1,890 mm  
Lifting time: 90 seconds  
Motor: 1 x 5.5 kW

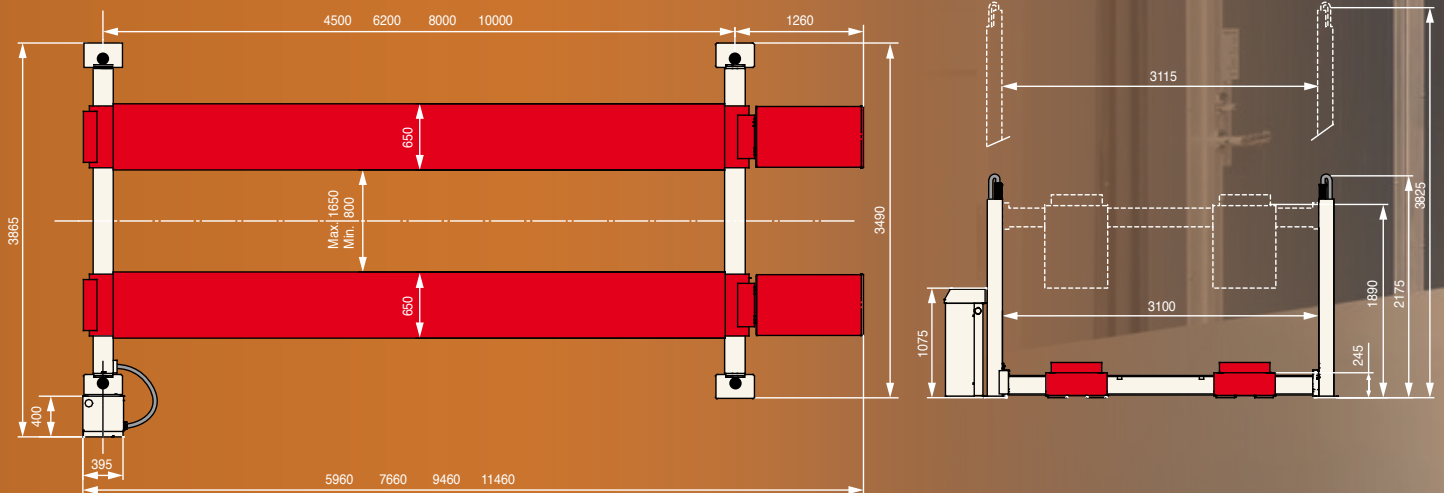
## Accessories & Options

- Air-Hydraulic Jacking Beams for wheel, brake and suspension maintenance
- Short approach ramps (recessed installation)
- Third platform
- Synchronisation kit for tandem configuration

Please refer to the Installation and or Operations Manuals for detailed information and specifications.

This product and all other STERTIL® products are protected by patents from various regions and countries.

For more information please refer to: [www.stertil.com/en/patents/](http://www.stertil.com/en/patents/). All rights reserved.



## More information

For more information about the ST 4120 or one of our other heavy duty vehicle lifts, please contact us for further assistance.



ISO 9001



Stertil B.V.  
P.O.Box 23  
9288 ZG Kootstertille  
The Netherlands  
Tel. +31 (0)512 334444  
[www.stertilkoni.com](http://www.stertilkoni.com)  
[info@stertil.nl](mailto:info@stertil.nl)  
Stertil Stertil-Koni  
@Stertil stertilkoni

a member of the Stertil Group